



BEST DEALS 2020

Version EN-US



Improve your production with our high quality
measuring instruments!

Prices exclude VAT

TESA height gages

Easy-to-use height gages designed for fast and reliable 1D and 2D measurement



More info on page 4



SCS certificate included



After registration (MICRO-HITE only)

	Order number	EDP number	Description	Maximum permissible error* [µm]	Repeatability limit [µm]	Air cushion	Reg. price [\$]	Promo price [\$]
manual	00730082	76843	TESA-HITE MAGNA 400	8	Flat: ≤ 3; arc: ≤ 5	-	3450	3110
	00730083	76844	TESA-HITE MAGNA 700	8	Flat: ≤ 3; arc: ≤ 5	-	4050	3650
	00730084	76845	TESA-HITE 400	2.5 + 4 L/1000	Flat: ≤ 2; arc: ≤ 3	✓	4950	4460
	00730085	76846	TESA-HITE 700	2.5 + 4 L/1000	Flat: ≤ 2; arc: ≤ 3	✓	5650	5090
manual	00730073	76639	MICRO-HITE 350	2 + 2 L/1000	Flat: ≤ 1; arc: ≤ 1	✓	8500	7650
	00730074	76640	MICRO-HITE 600	2 + 2 L/1000	Flat: ≤ 1; arc: ≤ 1	✓	9000	8100
	00730075	76641	MICRO-HITE 900	2 + 2 L/1000	Flat: ≤ 1; arc: ≤ 1	✓	11500	10350
manual	00730076	76620	MICRO-HITE 350F**	2 + 2 L/1000	Flat: ≤ 1; arc: ≤ 1	✓	8900	8010
	00730077	76621	MICRO-HITE 600F**	2 + 2 L/1000	Flat: ≤ 1; arc: ≤ 1	✓	9500	8550
	00730078	76623	MICRO-HITE 900F**	2 + 2 L/1000	Flat: ≤ 1; arc: ≤ 1	✓	11900	10710
mortorized	00730079	76624	MICRO-HITE+M 350	1.8 + 2 L/1000	Flat: ≤ 0.5; arc: ≤ 1	✓	8900	8010
	00730080	76625	MICRO-HITE+M 600	1.8 + 2 L/1000	Flat: ≤ 0.5; arc: ≤ 1	✓	9500	8550
	00730081	76626	MICRO-HITE+M 900	1.8 + 2 L/1000	Flat: ≤ 0.5; arc: ≤ 1	✓	11900	10710

*L in mm

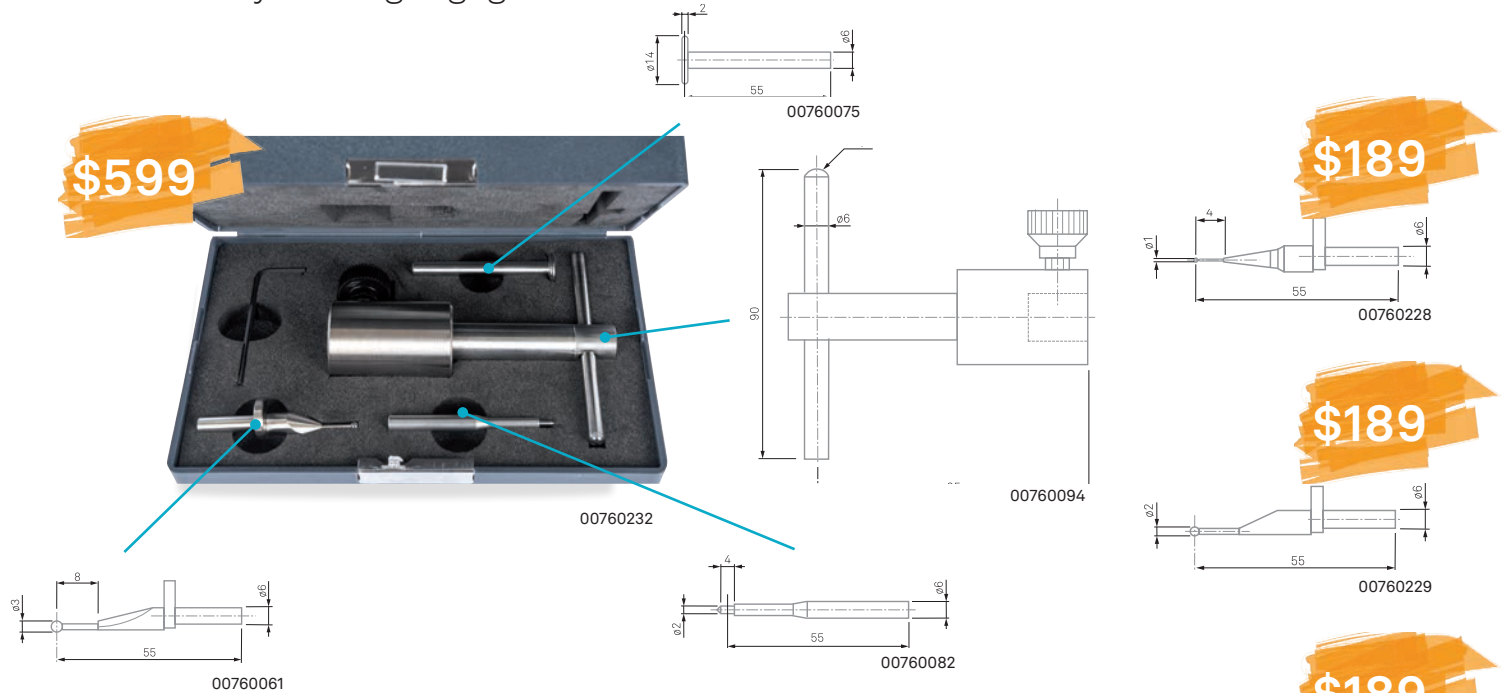
**with fine adjustment

Feature comparison

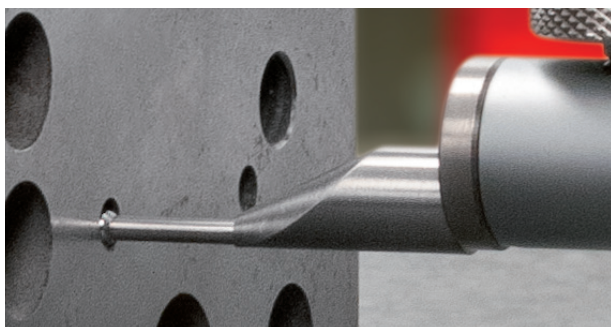
TESA-HITE MAGNA	400 700	Workshop	●			1D	TLC		SCS	
TESA-HITE	400 700	Workshop	●		●	1D	TLC	●	SCS	
MICRO-HITE	350 600 900	Workshop Laboratory	●		●	1D 2D	TLC USB Printer (option)	●	SCS	●
MICRO-HITE+M	350 600 900	Workshop Laboratory		●	●	1D 2D	TLC USB Printer (option)	●	SCS	●

TESA height gage accessories

Get the best of your height gages



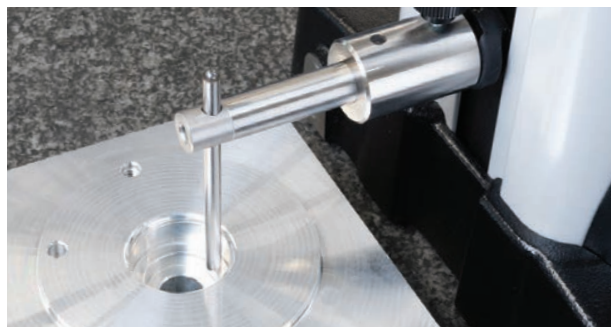
Order number	EDP number	Description	Diameter [mm]	Reg. price [\$]	Promo price [\$]
00760228	47053	Ø 1 mm, shank and ball tip in hard metal	1	210	189
00760229	46970	Ø 2 mm, shank and ball tip in hard metal	2	210	189
00760230	46972	Ø 3 mm, shank and ball tip in hard metal	3	210	189
00760232	47410	Starter kit, 4 elements	-	673	599



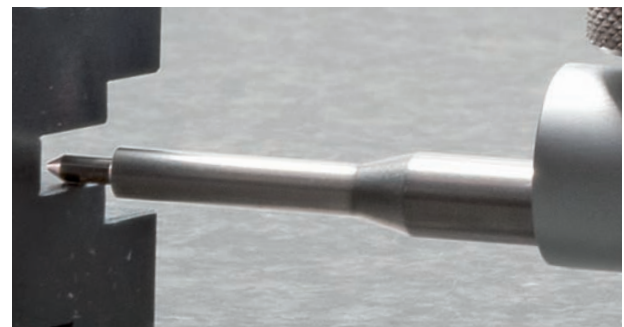
00760061



00760075



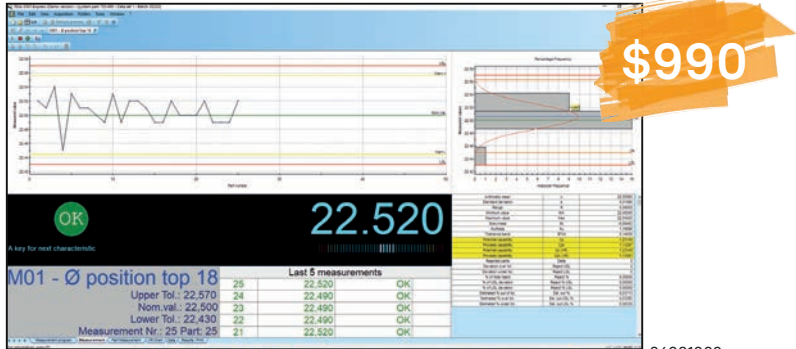
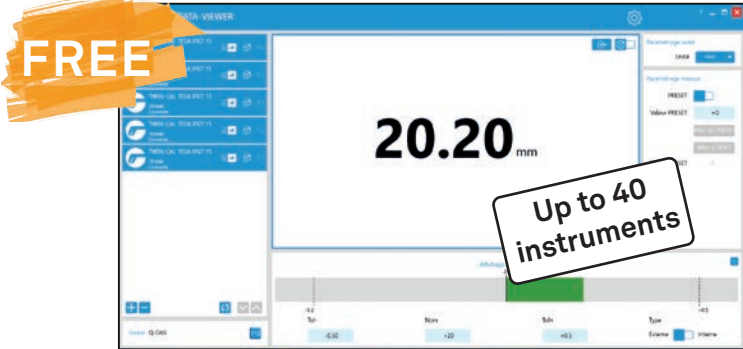
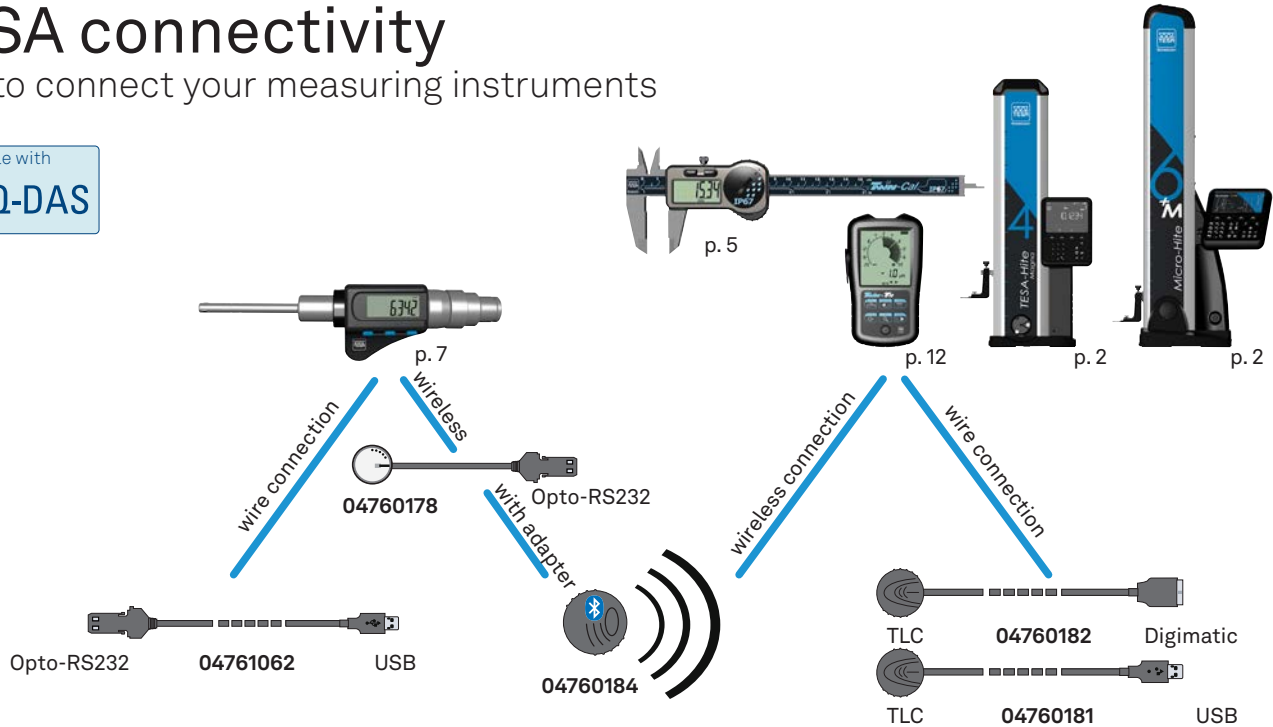
00760094



00760082

TESA connectivity

How to connect your measuring instruments



TESA DATA-VIEWER provides a quick and easy way to export measured results to a data processing program or to automatically create files in known formats such as *.xls, *.csv or *.txt.
TESA DATA-VIEWER is downloadable free of charge from the TESA website!
<https://go.hexagonmi.com/DATA-VIEWERsoftware>

The Statistical Process Control software TESA STAT-EXPRESS is a simple way to develop measurement programs which can be used to calculate important statistical characteristics in real time. Easy to learn. Measuring reports can be generated automatically.

¹TESA instrument drivers included
Software requirements: Windows 7 / 8.1 / 10, 32 & 64-bit processor
Hardware requirements: Intel i5 or equivalent, 4 GB RAM, 100 MB HDD

Order number	EDP number	Description	Reg. price [\$]	Promo price [\$]
04760183	76653	Starter kit TLC-BLE**: Bluetooth® emitter + USB dongle* receiver + 1.5 m extension cable	114	-
04760184	76654	TESA TLC-BLE** Emitter	66	-
04760185	76655	USB dongle* receiver + 1.5 m extension cable	48	-
04760178	76651	Cable adapter Opto-TLC	126	-
04760182	47429	TESA TLC-DIGIMATIC cable	252	227
04760181	47428	TESA TLC-USB cable	172	155
04761062	31372	USB-Opto-RS232 cable	276	226
04981002	31451	TESA STAT-EXPRESS software	1176	990
		TESA DATA-VIEWER	-	FREE



*One single USB dongle can be used to connect up to 8 instruments. It's not needed with Windows 10 (Release ≥1703, Creators Update) and integrated Bluetooth® 4.0 hardware on computer
**This product is only available in countries where it is officially certified. Visit our website to know the list of countries in which the TESA TLC-BLE wireless Bluetooth® emitter is available.

BROWN & SHARPE TWIN-CAL IP67 & TWIN-CAL



More info on page 4



THINK BIG!
Buy "3" TWIN-CAL IP67 and save \$15/caliper

Order number	EDP number	Description	Measuring range [in]	Thumb roller	Depth rod	Data transmission	Reg. price [\$]	Promo price [\$]
00590302	47236	Brown & Sharpe TWIN-CAL IP67	0 - 6	✓	●	✓	238.80	196
00590303	47237	Brown & Sharpe TWIN-CAL IP67	0 - 6	✓	■	✓	238.80	196
00590304	47238	Brown & Sharpe TWIN-CAL IP67	0 - 8	✓	■	✓	342	280
00590305	47239	Brown & Sharpe TWIN-CAL IP67	0 - 12	✓	■	✓	468	384
00590302P	76856	TRIO-PACK TWIN-CAL IP67	0 - 6	✓	●	✓	679.20	543
00590303P	76857	TRIO-PACK TWIN-CAL IP67	0 - 6	✓	■	✓	679.20	543
00590092	47473	Brown & Sharpe TWIN-CAL	0 - 6	✓	●	✓	166.80	137
00590093	47474	Brown & Sharpe TWIN-CAL	0 - 6	✓	■	✓	166.80	137
00590094	47475	Brown & Sharpe TWIN-CAL	0 - 8	✓	■	✓	238.80	196
00590095	47476	Brown & Sharpe TWIN-CAL	0 - 12	✓	■	✓	331.20	272

THINK CONNECTED!
Your connected solution for only \$203

$$\begin{array}{c}
 \$137 \\
 \text{00590092}
 \end{array}
 +
 \begin{array}{c}
 \$66 \\
 \text{04760184}
 \end{array}
 =
 \begin{array}{c}
 \$203
 \end{array}$$



BROWN & SHARPE VALUELINE IP67

IP67: the highest protection at the best price



THINK BIG!

Buy "3" BROWN & SHARPE VALUELINE IP67 and save \$10/caliper



00599390P
00599391P

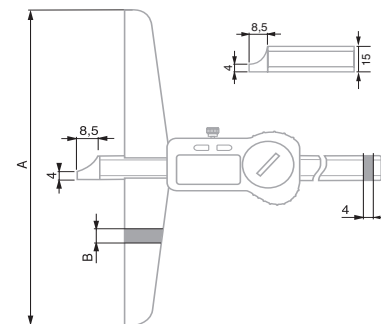
Order number	EDP number	Measuring range [in]	Thumb roller	Depth rod	Data transmission	Reg. price [\$]	Promo price [\$]
00599390	45601	0 - 6	✓	■	–	154.80	119
00599391	76599	0 - 6	✓	●	–	154.80	119
00599392	45602	0 - 8	✓	■	–	222	171
00599393	45603	0 - 12	✓	■	–	306	236
00599390P	76858	0 - 6	✓	■	–	435.60	327
00599391P	76859	0 - 6	✓	●	–	435.60	327

TESA TWIN-CAL IP67

Depth models with short cut measuring face



More info on page 4



Order number	EDP number	Measuring range [in]	A [in]	B [in]	Reg. price [\$]	Promo price [\$]
00530441	45625	0 - 8	4	.315	515	412
00530443	45627	0 - 12	6	.315	570	456
00530444	45628	0 - 20	6	.315	704	563

TESA INTRIMIK digital



More info on page 4



599-290-160-1

Order number	EDP number	Measuring range [in]	Numerical scale interval [in]	Maximum permissible errors [in]	Repeatability limit [in]	Reg. price [\$]	Promo price [\$]
599-290-28-1	27499	.138 - .158	0.00005	0.00016	0.00016	1367	1121
599-290-30-1	27500	.158 - .178	0.00005	0.00016	0.00016	1367	1121
599-290-32-1	27501	.178 - .217	0.00005	0.00016	0.00016	1372	1125
599-290-34-1	27502	.217 - .256	0.00005	0.00016	0.00016	1372	1125
599-290-35-1	27503	.240 - .320	0.00005	0.00016	0.00016	1058	868
599-290-42-1	27504	.320 - .400	0.00005	0.00016	0.00016	1058	868
599-290-50-1	27505	.400 - .480	0.00005	0.00016	0.00016	1058	868
599-290-60-1	27506	.430 - .550	0.00005	0.00016	0.00016	1083	888
599-290-70-1	27507	.550 - .670	0.00005	0.00016	0.00016	1083	888
599-290-80-1	27508	.670 - .790	0.00005	0.00016	0.00016	1083	888
599-290-100-1	27509	.790 - .990	0.00005	0.00016	0.00016	1124	922
599-290-120-1	27510	.990 - 1.18	0.00005	0.00016	0.00016	1124	922
599-290-140-1	27511	1.18 - 1.38	0.00005	0.00016	0.00016	1181	968
599-290-160-1	27512	1.38 - 1.58	0.00005	0.00016	0.00016	1198	982
599-290-200-1	27513	1.58 - 1.98	0.00005	0.00016	0.00016	1249	1024



BROWN & SHARPE classic series



\$610

00180080



\$129

599-579-4



\$129

599-579-5



\$59

00580101



Starting at \$93

00530506

0 - 4 in



\$106

00180070



\$115

01.60201

Order number	EDP number	Description	Measuring range		Resolution		Reg. price	Promo price
			[in]	[mm]	[in]	[mm]		
00180070	76832	Enamel frame micrometer with straight line graduations	0 - 1		.0001		132	106
00180071	76833	Enamel frame micrometer with straight line graduations	1 - 2		.0001		144	115
00180072	76834	Enamel frame micrometer with straight line graduations	2 - 3		.0001		150	120
00180073	76835	Enamel frame micrometer with straight line graduations	3 - 4		.0001		156	125
00180077	76839	Enamel frame micrometer set, w/o standards	0 - 3		.0001		478.80	383
00180078	76840	Enamel frame micrometer set, with standards	0 - 3		.0001		574.80	460
00180079	76841	Enamel frame micrometer set, w/o standards	0 - 4		.0001		618	494
00180080	76842	Enamel frame micrometer set, with standards	0 - 4		.0001		762	610
01.60201	39547	MICROMETER STAND	-	-	-	-	144	115
599-579-4	51774	DIAL-CAL® dial caliper with silver dial face	0 - 6		.001		165.60	129
599-579-5	51879	DIAL-CAL® dial caliper with black dial face	0 - 6		.001		165.60	129
00580101	76853	B&S vernier caliper 6 in 0.05 mm - .001 in	0 - 6		.001	0.05	82.80	59
00530506	76860	Workshop vernier caliper 8 in 0.05 mm - 1/28 in	0 - 8		1/128	0.05	116.40	93
00530522	76861	Workshop vernier caliper 12 in 0.05 mm - 1/28 in	0 - 12		1/128	0.05	166.80	133
00530542	76862	Workshop vernier caliper 20 in 0.05 mm - 1/28 in	0 - 20		1/128	0.05	427.20	342

BESTEST-5 SERIES Dial Test Indicators & MITI-MITE Indicator set

Order number	EDP number	Measuring range [in]	Scale interval [in]	Dial Ø [in]	Reg. price [\$]	Promo price [\$]
599-7030-5	51733	.030	.0005	1	224.40	180
599-7031-5	51734	.030	.0005	1.5	250.80	201

Order number	EDP number	Description	Reg. price [\$]	Promo price [\$]
599-849	51083	MITI-MITE & Indicator with case	487.20	390



599-7030-5



599-7031-5

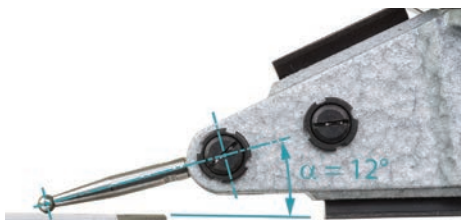


TESA INTERRAPID 312

Order number	EDP number	Series	Measuring range [in]	Scale interval [in]	Dial Ø [in]	Reg. price [\$]	Promo price [\$]
74.111370	42775	312B-1	.060	.0005	1.5	283	226
74.111371	86150	312B-2	.060	.0005	1.2	281	225
74.111372	41680	312B-3	.016	.0001	1.5	348	278
74.111377	41685	312B-1V	.060	.0005	1.5	301	241



74.111370



Stylus insert with angular position of 12°

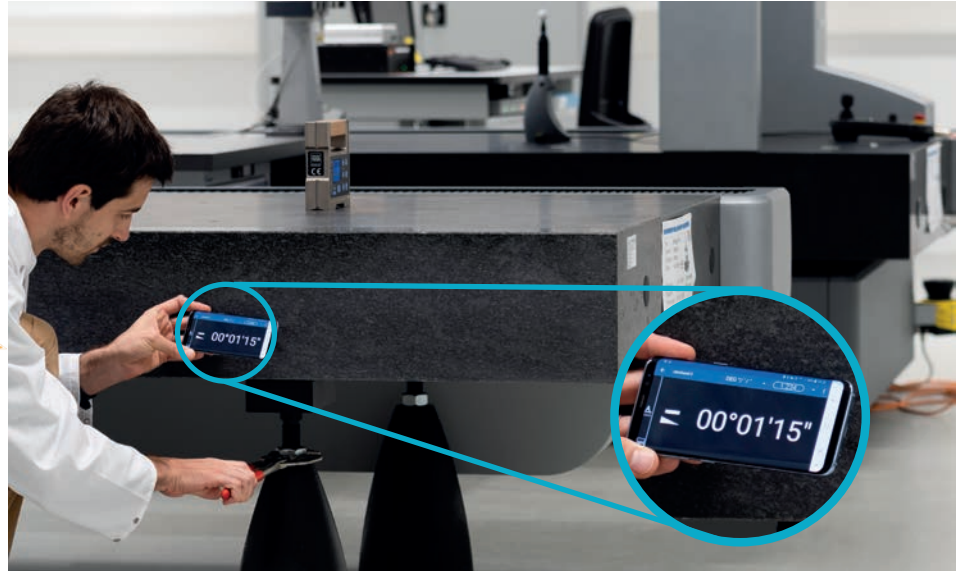
All TESA INTERRAPID 312 models are designed to give a true reading when the angle between the stylus and the workpiece surface is 12° (see illustration).



05330210

\$4365

Cast iron model, rust protected



±60°

TESA CLINOBEVEL 3 INCLINOMETER

Robust and easy to use, the TESA CLINOBEVEL 3 is a top of the range portable precision inclinometer. It's available in aluminium or cast iron

Order number	EDP number	Description	Measuring range [deg]	Weight [lb]	Reg. price [\$]	Promo price [\$]
05330210	76863	TESA CLINOBEVEL 3 60 DEG IRON	± 60°	7.6	4848	4365
05330211	76864	TESA CLINOBEVEL 3 60 DEG ALU	± 60°	3.3	4848	4365



05330211

\$4365

Aluminium model, black anodized

TESA CLINOBEVEL 1 USB

Portable and compact instrument to measure horizontal and vertical inclination up to $\pm 45^\circ$. Light, manageable and battery operated it can be used directly on the piece to be measured



$\pm 45^\circ$



Starting at \$1742

05330204

Order number	EDP number	Description	Measuring range [deg]	Reg. price [\$]	Promo price [\$]
05330203	36119	CLINOBEVEL1 USB SET (with CLINOSOFT software and USB cable)	$\pm 45^\circ$	2088	1879
05330204	76865	CLINOBEVEL1 USB NEW	$\pm 45^\circ$	1935	1742



2 μm
stylus tip radius

TESA RUGOSURF 20

The roughness tester with 15 of the most used roughness parameters

Order number	EDP number	Description	Reg. price [\$]	Promo price [\$]
06930013	47126	TESA RUGOSURF 20	2200	1980

Free download Data Connection tool

Free download
Data Connection tool

<http://go.HexagonMI.com/DataConnectionTool>



06930013

TESA μ -FINDER SET 31

The mobile high precision set for quality control and service in the practical transport case



\$720



\$1890



\$1172



\$138

Order number	EDP number	Description	Reg. price [\$]	Promo price [\$]
04430013P1	76773	TESA μ -Finder Set 31	2379	1890
Contains:				
04430013	45612	TESA TWIN-T10 display unit	1465	1172
32.10802	86188	GT31 lever probe	900	720
16.39007	88386	Magnetic support TESA INTERRAPID UJ15	173	138



We reserve the right to make changes to our products, especially due to technical improvements and further developments. All illustrations and technical data are therefore without guarantee. All prices shown are non-binding price recommendations.